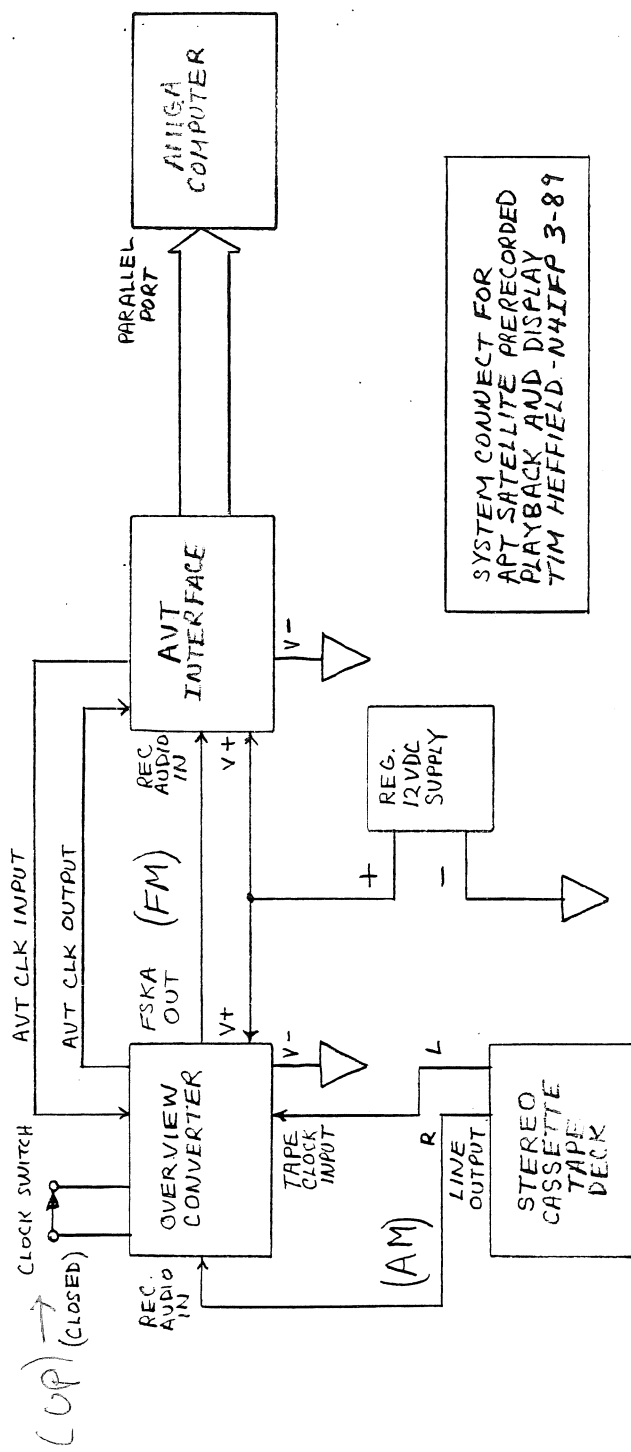
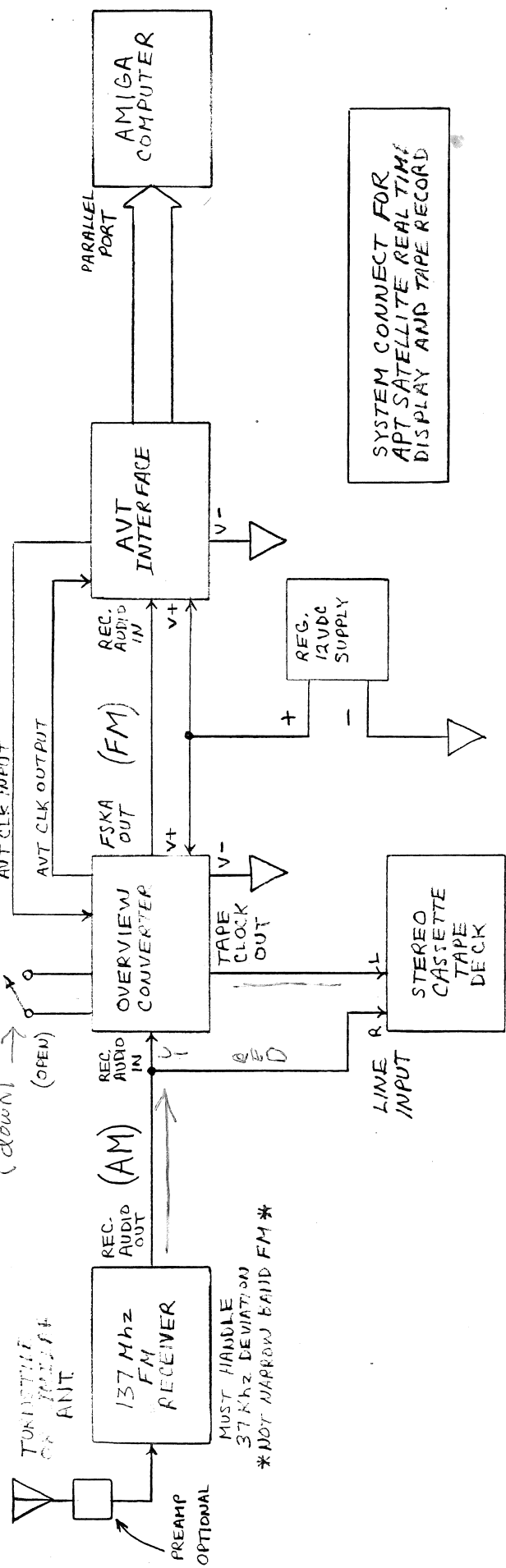


- NOTES:
1. C18-C23, C26, AND C27 ARE 0.1 BYPASS CAPACITORS.
 2. REV A SCHEMATIC REPRESENTS R17 BOARD #013-097, R AND #013-097 B.

TITLE		SCHEMATIC AVT	
DRAWN		HARTLEY	
SIZE	DWG. NO.	012-200	
B	REV	A	
DATE		11-6-89	
SHEET		1 OF 1	

AEA ADVANCED ELECTRONIC APPLICATIONS, INC.



Thank you for your purchase of the AEA Amiga Video Terminal (AVT) System. The telephone modem is installed in the unit, however FCC Part 68 certification is still pending. We anticipate final FCC authorization for telephone use by March 1, 1990. Please be sure to complete your warranty card and return it to us. This will allow us to send you the FCC authorization label so you may legally use the AVT unit in conjunction with your telephone. We regret the inconvenience and thank you for your patience.

040-960-1